

# AB COCKS MABC

## MABC IV TGR, PN40



- Product details**
- » Pressure gauge cock
  - » PN 40
  - » Cylindrical plug
  - » Brass IV
  - » Elastic packing sleeve TGR
  - » With hand lever

\*TGR = top-graph 2000

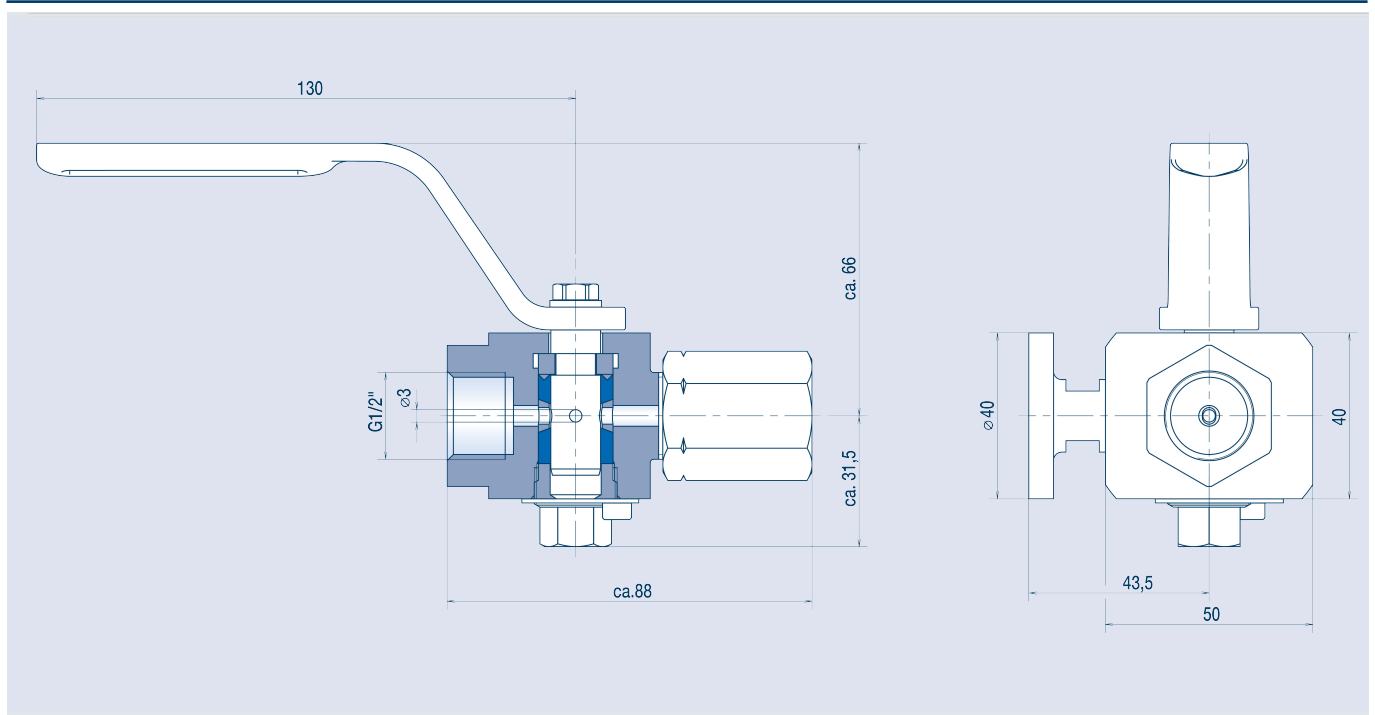
- Connections**
- Left side: G1/2"
  - Right side: clamping sleeve G1/2"
  - Pressure gauge: G1/2" test flange

**Certificates** VDI 2440

**Dimensions** Body length 88 mm

- General features**
- » 90°-rotation ensures immediate opening and closing procedure
  - » Hand operation enables throttling, therefore usage in blow-down lines possible
  - » Simple maintenance:  
The packing sleeve can be replaced within minutes with the cock staying in the line
  - » No jamming caused by corrosion

**Temperature** IV-TGR -10°C to +250°C, PN40



### Application range

District Heating | Processing industry | Automation | Geothermal energy | Shipbuilding industry | Diesel engines | Oil & Gas | Compressed-air supply | Instrumentation & Control | Electric supply | Energy generating companies

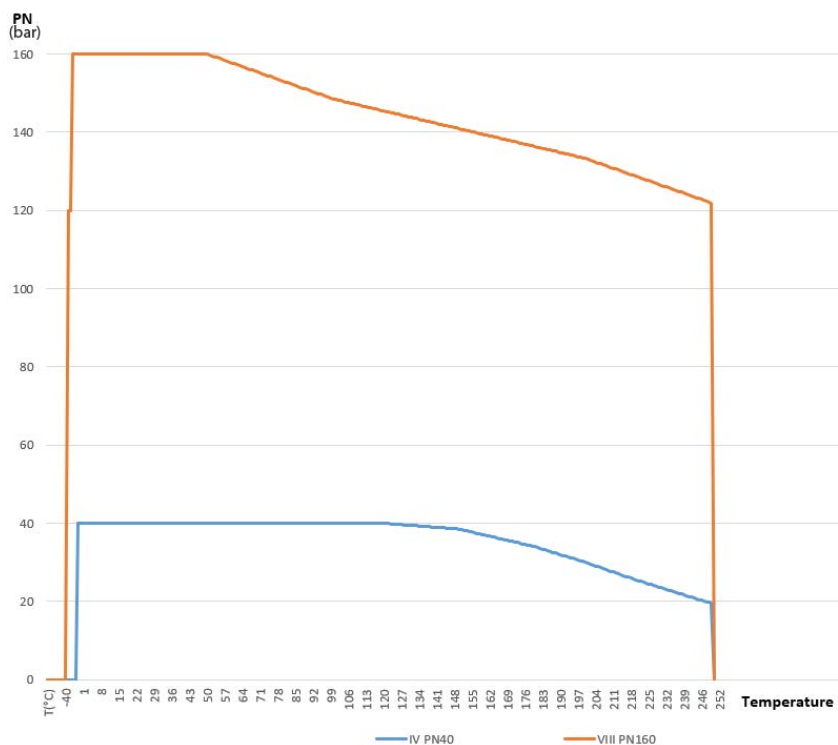
### The packing sleeve

Under pressure the lamellas of the elastic packing sleeve are pressed against the body wall and thereby an excellent seal is achieved.  
The TGR (=top-graph 2000) is suitable for operating temperatures up to 250°C.



# AB COCKS MABC

Pressure and temperature ranges / Parts list



## Parts list

Pos.	number	name
1	1	Body
2	1	Packing sleeve
3	1	Cock plug
4	2	Split ring
5	1	Tightening nut
6	1	Locking disc
7	1	Fillister head screw
8	1	Disc
9	1	Hexagon head screw
10	1	Hand lever
11	1	Test flange
12	1	Tightening screw

